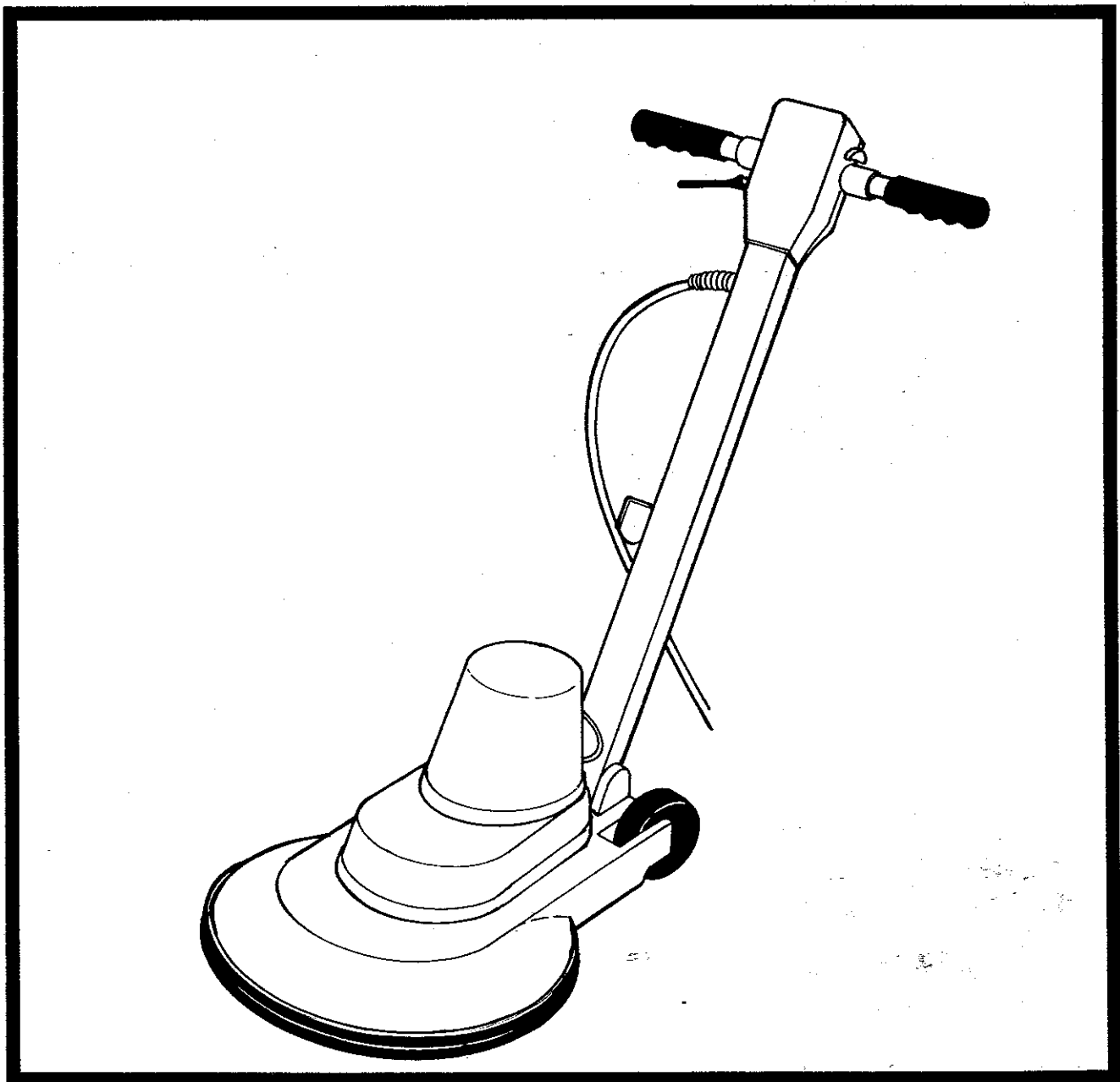


Minuteman Series Floor Machines

Model: M20400

■ OPERATION ■ SERVICE ■ PARTS ■ CARE



Revised 2/94

Minuteman[®]

FOR COMMERCIAL USE ONLY

IMPORTANT SAFETY INSTRUCTIONS

When using an electrical appliance, basic precautions should always be followed, including the following:

READ ALL INSTRUCTIONS BEFORE USING

WARNING - To reduce the risk of fire, electric shock, or injury:

- Do not leave appliance when plugged in. Unplug from outlet when not in use and before servicing.

WARNING

To reduce the risk of electric shock - Do not expose to rain. Store indoors.

- Do not allow to be used as a toy. Close attention is necessary when used by or near children.
- Use only as described in this manual. Use only manufacturer's recommended attachments.
- Do not use with damaged cord or plug. If appliance is not working as it should, has been dropped, damaged, left outdoors, or dropped into water, return it to a service center.
- Do not pull or carry by cord, use cord as a handle, close a door on cord, or pull cord around sharp edges or corners. Do not run appliance over cord. Keep cord away from heated surfaces.
- Do not unplug by pulling on cord. To unplug, grasp the plug, not the cord.
- Do not handle plug or appliance with wet hands.
- Do not put any object into openings. Do not use with any opening blocked; keep free of dust, lint, hair, and anything that may reduce air flow.
- Keep hair, loose clothing, fingers, and all parts of body away from openings and moving parts.
- Do not pick up anything that is burning or smoking, such as cigarettes, matches, or hot ashes.
- Do not use without dust-bag and/or filters in place.
- Turn off all controls before unplugging.
- Use extra care when cleaning on stairs.
- Do not use to pick up flammable or combustible liquids such as gasoline or use in areas where they may be present.
- Connect to a properly grounded outlet only. See grounding instructions.

SAVE THESE INSTRUCTIONS

OPERATING INSTRUCTIONS

INSPECTION

Carefully unpack and inspect your floor machine for shipping damage. Each unit is tested and thoroughly inspected before shipment, and any damage is the responsibility of the delivery carrier who should be notified immediately.

WARNING

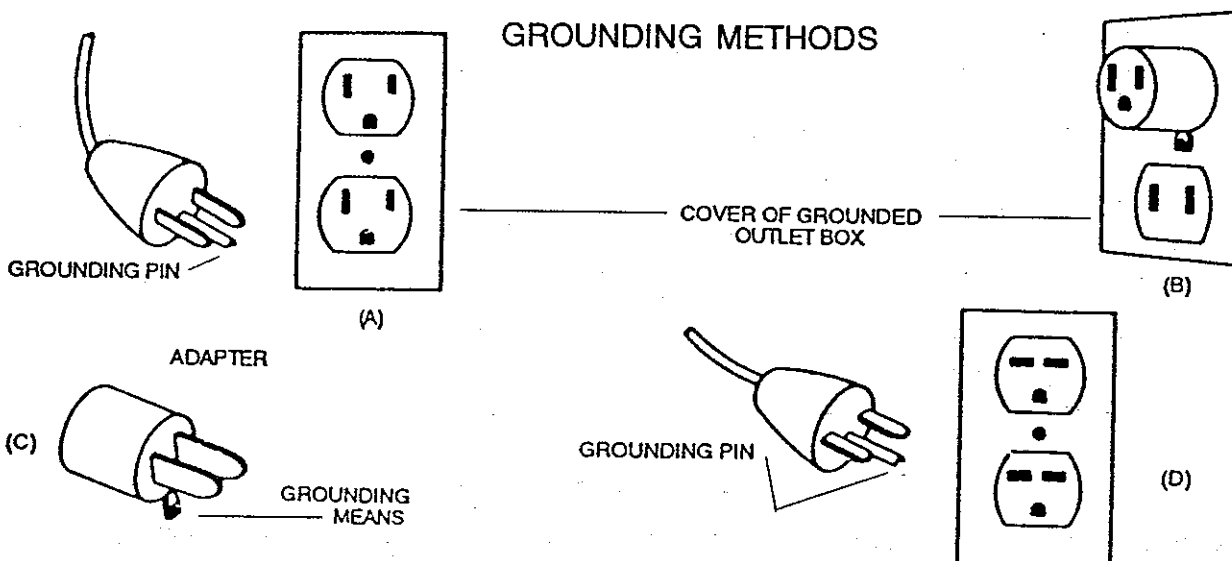
- Read Instruction Manual before operating this piece of equipment.
- To reduce the risk of fire use only commercially available floor cleaners and waxes intended for machine application.
- Risk of explosion. Floor sanding can result in an explosive mixture of fine dust and air. Use floor sanding machine in well ventilated area.
- Electrical motors and components can cause an explosion when operated near volatile materials and vapors.

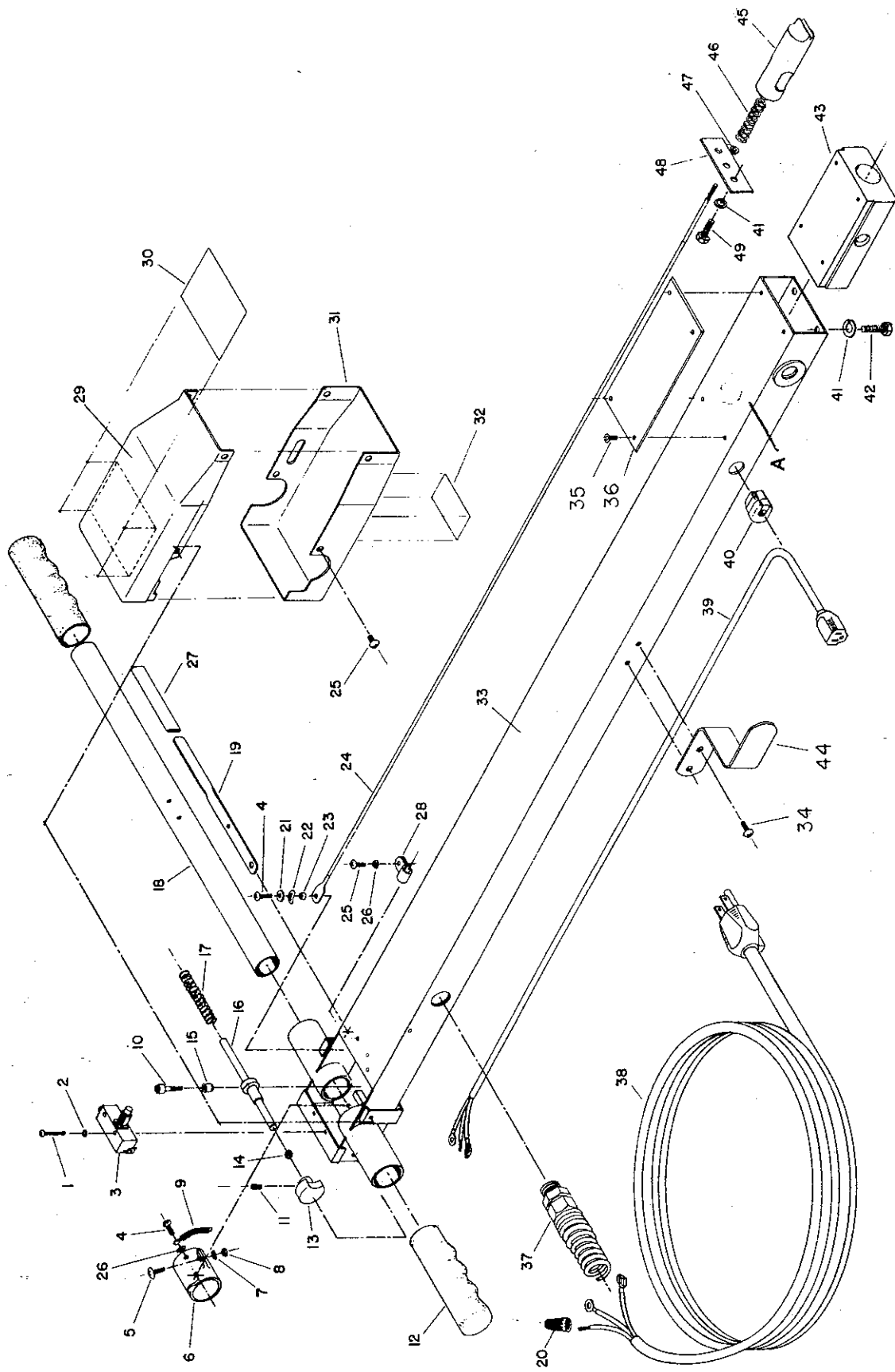
ELECTRICAL

This floor machine is designed to operate on a standard 15 amp, 115 volt, 60 hz, AC circuit. Voltages below 105 volt AC or above 125 volts AC could cause serious damage to the motor.

GROUNDING INSTRUCTIONS

- This floor finishing machine should be grounded while in use to protect the operator from electric shock. The machine is equipped with a three-conductor cord and a three-prong grounding type attachment plug to fit the proper grounding type receptacle. The green (or green and yellow) conductor in the cord is the grounding wire. Never connect this wire to other than the grounding blade.
- Floor Finishing Machines Rated Less Than 150 Volts - If the machine is provided with an attachment plug as shown in Sketch A it is intended for use on a 120-volt (nominal) circuit. If a properly grounded receptacle as shown in Sketch A is not available, an adapter as shown in Sketch C is available and should be installed as shown in Sketch B if the outlet box that houses the receptacle is grounded. Be sure to fasten the grounding tab with the faceplate screw.
- Floor Finishing Machines Rated 150-250 Volts - If the machine is provided with an attachment plug as shown in Sketch D, it is intended for use on a 240 volt (nominal) circuit. No adapter is available for this cap.





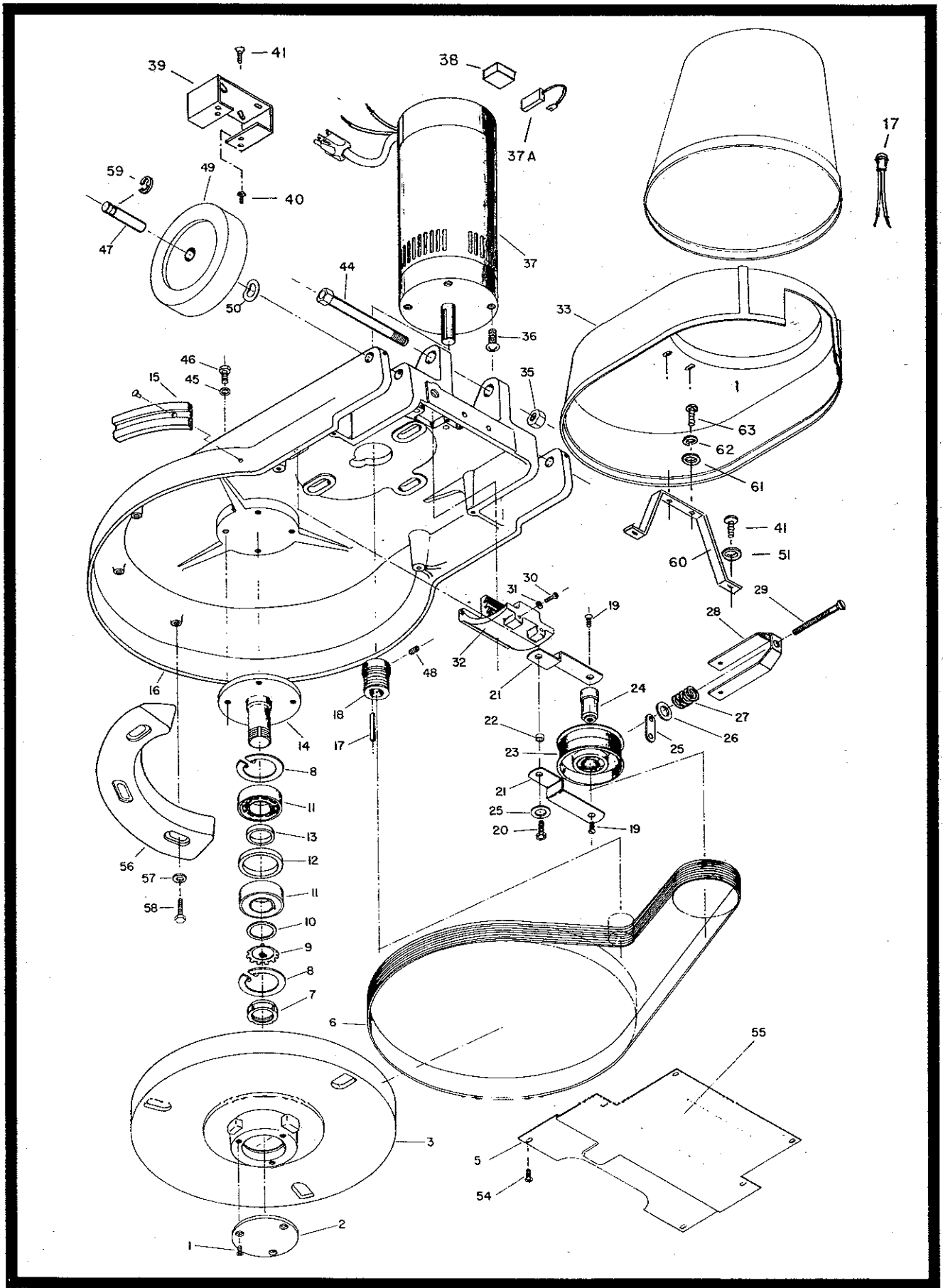
Handle Assembly M20400

Item	Part No.	Qty.	Description	Item	Part No.	Qty.	Description
1	710207	2	SCR-MC 6-32 x .87 ST PL	26	711543	2	WSR, Helical SPR LOC #10
2	711551	2	WSR, Intrl. Tooth LOC #6	27	762236	1	Grip, Lever
3	740029	1	Switch	28	381052	1	Retainer
4	710356	3	MCR-MC 10-32 x .62 ST PL	29	762126	1	Cover, SW Box Rear
5	710556	1	SCR-MC 10-32 x .75 ST PL	30	715062	1	Decal, Warning 2.50 x 3.50
6	762128	1	Lock	31	762125	1	Cover, Front ABS
7	711553	1	WSR, Internal Lock #10	32		1	Decal, Logo
8	711310	1	Hex-Nut 10-32 ST PL	33	750580	1	Handle Tube Weldment
9	762084	1	Spring	34	711125	2	SCR-ST-B #10 x .50
10	712041	1	BLT, SDER 1/4-20 x .56 x .37	35	711105	4	SCR-ST-A 10 x .50 NI
11			SCR, Set 8-32 x 1/8	36	762113	1	Stair Glide
12	762086	2	Grip, Handle	37	150003	1	Relief, Strain 100 x 50
13	762129	1	Button	38	150002	1	Black Cord Set, 14-3 50 ft.
14	762098	1	Bushing	39	762156	1	Cord, Handle
15	762058	1	Spacer	40	740108	1	Strain Relief
16	762143PLT	1	Pin, Switch LOC Zinc PLT	41	711544	6	WSR, Helical SPR LOC 1/4
17	762103	1	Spring	42	711203	4	BLT, HH 1/4-20 x .62
18	762067	1	Tube, Handle	43	762153MCH	1	Guide, Handle Lock
19	762158PLT	1	Lever, Handle Release	44	762182	1	Hook, Cord
20	740005	2	Cap, Wire 18-14 73B	45	762142PLT	1	Lock, Handle
21	711503	1	WSR, Flat #10	46	762149	1	Spring
22	711522	1	WSR, Wave 1/4	47	762060	1	Bushing
23	762059	1	Bushing	48	762159	1	Retainer
24	762119	1	Cable	49	711202	2	Bolt, 1/4-20 x .50 ST PL
25	711124	2	SCR-ST-B 10 x .37 NI				

ADJUSTING HANDLE ASSEMBLY

When the handle fails to respond to the tilt mechanism a simple adjustment is required.

1. Note whether the handle lock (P/N 762142PLT) is engaging the handle segment (P/N 762154 NIC PLT) or not.
2. Remove the handle from the machine.
3. Remove the stair glide (P/N 762113) (36) from the back of the handle.
4. Hold the handle release lever completely up.
5. With a pair of pliers, hold the cable thru hole A to prevent it from turning, as you turn the handle lock (45) in or out.



Base Assembly

Item	Part No.	Qty.	Description
1	710892	3	SCR-SC 8-32 x .37 ST PL
2	762050PLT	1	Cover, Pulley
3	762078PTD	1	Pulley, Cast Iron
5	760067	1	Belt Guard
6	762096	1	Belt, Poly Vee
7	762095	1	Nut, Special
8	762127	2	Ring, Snap
9	762094	1	Washer, Lock Special
10	762105	1	Washer, Flat
11	762093	2	Bearing
12	762106	1	Spacer OD
13	762107	1	Spacer ID
14	762049MCH	1	Shaft, Idler Pulley
15	200004	1	Bumper 20"
16	762108PTD	1	Housing, 20" Painted
17	832859	1	Indicator Light
18	762102	1	Pulley
19	710903	2	SCR-SC 10-32 x .50 ST PL
20	711204	1	BLT-HH 1/4-20 x .75 ST PL
21	762077PLT	2	Bracket, Idler Pulley
22	762073	1	Bushing
23	750564	1	Idler Pulley Assembly
24	762068	1	Shaft, Idler Pulley
25	711419	1	Nut-Weld TP2116 1/4-20
26	711574	1	WSR, Flat 1" OD x .25 ID
27	762097	1	Spring
28	762076PLT	1	Bracket, Pulley
29	710593	1	SCR-MC 1/4-20 x 3.00 ST PL
30	711207	4	BLT-HH 1/4-20 x 1 ST PL
31	711544	4	WSR, Helical SPR LOC 1/4
32	762154PLT	1	Segment, Handle NIC PLT
33	762124	1	Cover, Motor Lower
34	762123	1	Cover, Motor Upper
35	711376	1	Nut-Nloc 1/2-13
36	710986	4	SCR-SC 3/8-16 x 1.00 ST PL
37	740204	1	Motor, 1.5 HP D.C. Rec. 115V
37a	762160	4	Brush, Carbon Replacement
38	740202	1	Rectifier Bridge
39	760066	1	Adapter, Motor
40	710353	2	SCR-MC 10-32 x .37 ST PL
41	711109	4	SCR-ST #12 x .50 A Point
44	712012	1	BLT-HH 1/2-13 x 5 ST PL
45	711545	4	WSR, Helical SPR LOC 5/16
46	711230	4	BLT-HH 5/16-18 x 1 ST PL
47	760072	2	Axle, Wheel Zinc Plated
48	711011	2	SCR-SK 1/4-20 x .25
49	762056	2	Wheel 5"
50	711524	4	WSR, Wave #26 ST PL
51	711543	4	WSR, Helical SPR LOC #10
54	710226	6	SCR-MC 8-32 x .19 SS
55	715010	1	Decal, Belt Drive
56	762392PTD	1	Balancing Weight M20
59	711713	4	Retaining Ring-E Ext .50
60	762242	1	Bracket, Cover
61	711502	2	WSR, Flat #8
62	711542	2	WSR, Loc #8
63	710329	2	SCR-MC 8-32 x .50 ST PL